

# LPF SERIES-Front Terminal

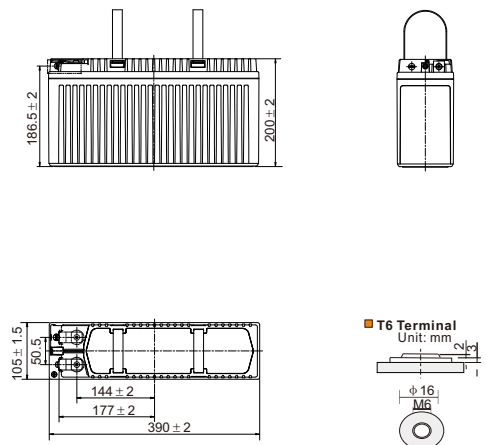
## LPF12-50 (12V50Ah)

### Specification

Nominal Voltage	12V	
Rated Capacity	50.0Ah (C <sub>10</sub> , 1.80V/cell)	
Dimension	Length	390±2mm (15.3 inches)
	Width	105±1.5mm (4.17 inches)
	Container Height	200±2mm (7.87 inches)
	Total Height (with Terminal)	200±2mm (7.87 inches)
	Approx Weight	Approx 18.3 Kg (40.4 lbs)
Terminal	M6 (With front terminal adapter)	
Container Material	ABS	
Capacity(25°C/77°F)	52.6 Ah	(20hr, 2.63A, 1.80V/cell)
	50.0 Ah	(10hr, 5.00A, 1.80V/cell)
	48.9 Ah	(8hr, 6.11A, 1.75V/cell)
	43.8 Ah	(5hr, 8.75A, 1.75V/cell)
	32.0 Ah	(1hr, 32.0A, 1.67V/cell)
Max. Discharge Current	500A (5s)	
Internal Resistance	Approx 7.6mΩ	
Operating Temp. Range	Discharge	-15~50°C (5~122°F)
	Charge	0~40°C (32~104°F)
	Storage	-15~40°C (5~104°F)
Nominal Operating Temp. Range	25±3°C (77±5°F)	
Boost Charge	Initial Charging Current less than 15.0A. Voltage 14.1V~14.4V at 25°C(77°F)Temp. Coefficient -30mV/°C	
Standby Use	No limit on Initial Charging Current Voltage 13.5V~13.8V at 25°C(77°F)Temp. Coefficient -20mV/°C	
Capacity affected by Temperature	40°C (104°F)	103%
	25°C (77°F)	100%
	0°C (32°F)	86%
Self Discharge (3%/month)	LPF series batteries may be stored for up to 6 months at 25°C(77°F) and then a freshening charge is required. For higher temperatures the time interval will be shorter.	



### Layout



### Constant Current Discharge (Amperes) at 25 °C (77°F)

F.V/Time	10min	15min	20min	30min	45min	1h	2h	3h	4h	5h	6h	8h	10h	20h
1.85V/cell	79.8	64.7	59.9	41.8	35.8	26.3	15.8	11.9	9.50	7.94	7.1	5.60	4.69	2.46
1.80V/cell	92.1	75.2	66.4	47.2	38.6	29.2	17.2	12.9	10.2	8.56	7.5	6.00	5.00	2.63
1.75V/cell	101.7	79.6	71.7	49.4	39.9	30.2	17.7	13.3	10.5	8.75	7.6	6.11	5.08	2.67
1.70V/cell	107.4	84.1	74.5	51.6	40.8	31.3	18.3	13.6	10.8	8.95	7.7	6.22	5.16	2.71
1.67V/cell	112.2	87.6	76.8	52.9	41.4	32.0	18.6	13.8	10.9	9.06	7.8	6.28	5.20	2.73
1.60V/cell	117.0	93.0	78.5	55.9	41.9	33.6	19.4	14.4	11.3	9.34	7.8	6.43	5.31	2.79

### Constant Power Discharge (Watts/cell) at 25 °C (77°F)

F.V/Time	10min	15min	20min	30min	45min	1h	2h	3h	4h	5h	6h	8h	10h	20h
1.85V/cell	152.0	132.6	116.2	86.2	70.2	54.6	33.0	25.0	19.9	16.7	14.4	11.8	9.89	5.33
1.80V/cell	174.2	152.6	127.8	96.6	75.4	60.1	35.7	26.9	21.4	17.9	15.1	12.6	10.5	5.62
1.75V/cell	190.9	159.8	137.4	100.1	77.7	61.8	36.6	27.5	21.9	18.3	15.3	12.8	10.7	5.68
1.70V/cell	198.9	167.0	141.5	103.6	78.8	63.7	37.6	28.2	22.3	18.6	15.4	13.0	10.8	5.75
1.67V/cell	204.6	172.7	143.9	105.6	79.3	64.7	38.1	28.5	22.6	18.8	15.5	13.1	10.9	5.79
1.60V/cell	208.9	180.1	145.1	110.2	79.5	67.2	39.4	29.4	23.2	19.3	15.5	13.4	11.1	5.89

## Applications

- UPS
- For standard power cabinet
- Network connection equipment of communication system
- Power system of special network or local area network
- Power station systems

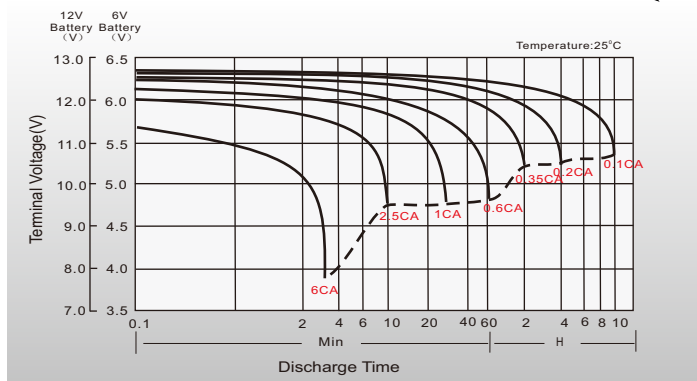
## General Features

- Specifically ideal for 19 inches or 23 inches power cabinets
- Front terminals make the installation, maintenance and supervision easy
- Shield designs protect terminals from short circuit and show good appearance
- Unique vent valve design: reduce water losing and prevent air/spark going inside

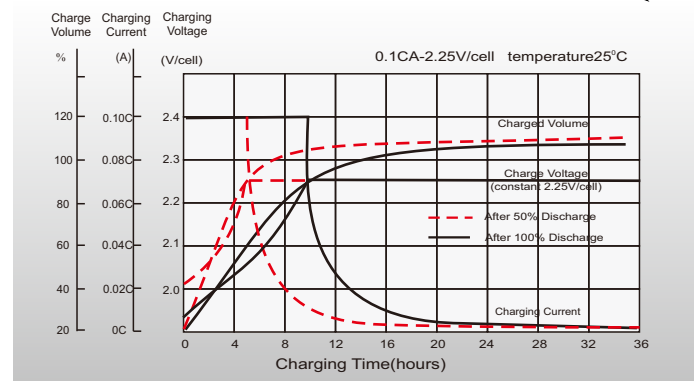
## Standards

- IEC 60896 Certified
- Classified as "Very Long Life" according to Eurobat
- UL Certified
- Manufactured in Leoch® TS16949, ISO 9001 and ISO 14001 certified production facilities

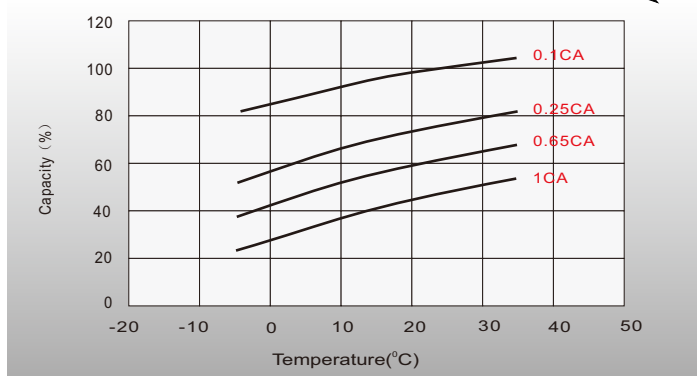
### Discharge Characteristics



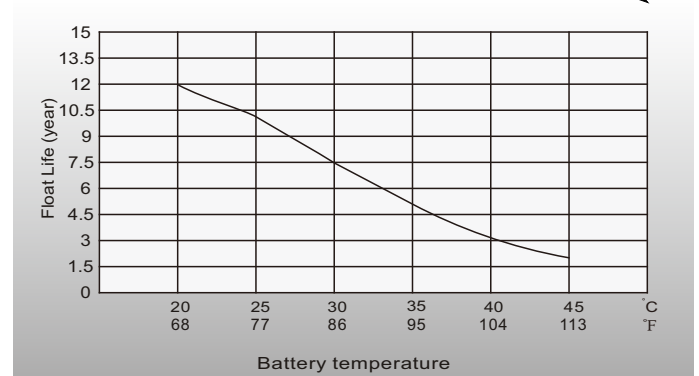
### Float Charging Characteristics



### Temperature Effects in Relation to Battery Capacity



### Effect of Temperature on Long Term Float Life



## Sales Offices Worldwide

### China Sales Office

5th Floor, Xinbaohui Bldg., Nanhai Blvd.,  
Nanshan, Shenzhen, China. 518052  
Tel: +86-755-86036060 (100 lines)  
Fax: +86-755-26067269  
E-mail: export@leoch.com

### HongKong Sales Office

Workshop C, 33/F, TML Tower, No. 3 Hoi Shing Road,  
Tsuen Wan, New Territories, Hong Kong  
Tel: +852 35786666  
Fax: +44 1452 690125  
E-mail: sales.hk@leoch.com

### Singapore Sales Office

No. 1 Tech Park Crescent,  
Singapore 638131  
Tel: +65 68636078  
Fax: +65 6863 6079  
Email: sales.sg@leoch.com

### Australia Sales Office

2 /29 Tarlington Place, Smithfield. NSW 2164  
Australia  
Tel: 02 9756 0950  
E-mail: sales.au@leoch.com

### North America Sales Office

19751 Descartes  
Foothill Ranch, CA 92610, USA  
Tel: 949-588-5853  
Fax: 949-588-5966  
E-mail: sales@leoch.us

### UK Sales Office

9B Wheatstone Court. Waterwells, Business Park,  
Gloucester, GL2-2AQ, UK United Kingdom  
Tel: +44(0) 1452 729428 / 1452 729696  
Fax: +44 1452 690125  
E-mail: Sales.Europe@leoch.com

### EMEA Sales Office

1 Deligiorgi St., 121 31 Athens,  
Greece  
Tel: +30 210 5760318 (2 lines)  
E-mail: support\_EMEA@leoch.com

### India Sales Office

Shed no.A-53(b), 2nd Stage of Peenya Industrial Area,  
Bangalore North Taluk, Bangalore-560058, India  
Tel: +91-80-23440018/23440019  
Fax: +91-80-23440017  
E-mail: indiasales@leoch.com



[Http://www.leoch.com](http://www.leoch.com)

[Http://www.leoch.us](http://www.leoch.us)

© 2017 LEOCH. All rights reserved.

Trademarks and logos are the property of LEOCH and its affiliates unless otherwise noted.  
Subject to revisions without prior notice.

Publication No.:LB-LPF12-55-PD-US-V1.1-201902