

**NEW**

# PLX SERIES

Top Terminal Pure Lead Punched Grid Batteries in Industry Standard Sizes



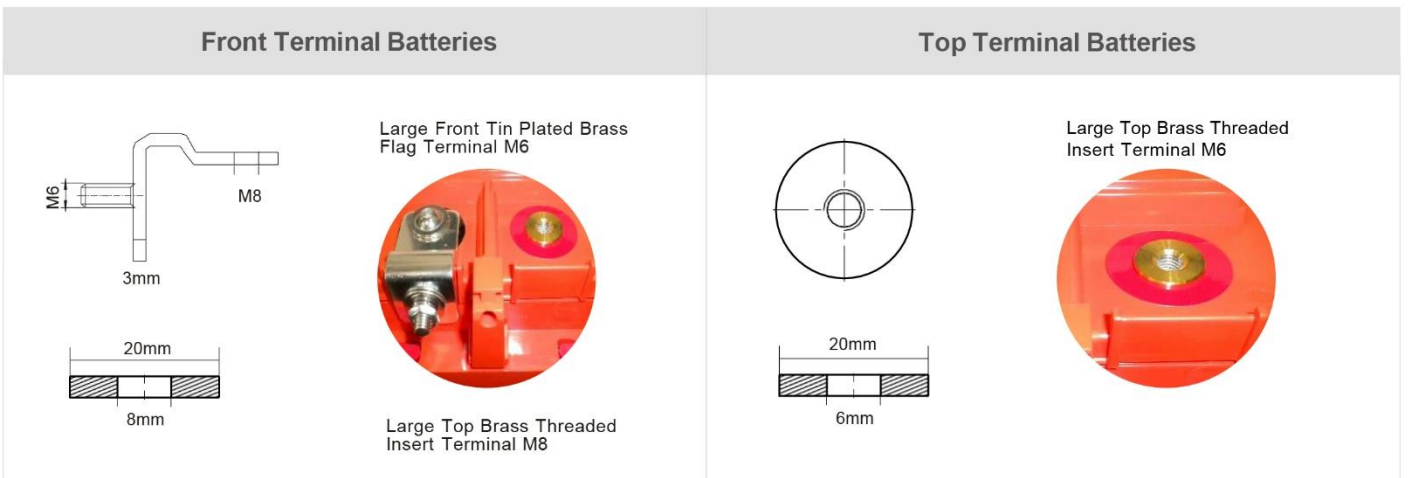
Size Your Next High Rate UPS Application with LEOCH® Batteries: [www.LeochBatterySizer.com](http://www.LeochBatterySizer.com)

LEOCH® Battery Corporation  
19751 Descartes, Unit A, Foothill Ranch, CA 92610  
☎ +1.949.588.5853 🌐 [www.leoch.us](http://www.leoch.us)



Model Number	Rated Voltage (V)	Watts/Cell (WPC) 1.67 V/Cell @ 25°C (77°F)				Rated Capacity (Ah)**	Dimensions								Weight		Terminal Type
							Length		Width		Height		Total Height				
		5-Min	10-Min	15-Min	10-Hr	in	mm	in	mm	in	mm	in	mm	lbs	kg		
<b>NEW! 12V Top Terminal Pure Lead Punched Grid - 20YR Design Life</b>																	
PLX12-330	12	538.1	427.4	330.0	80	10.24	260	6.61	168	8.19	208	8.31	211	55.1	25.0	M6	
PLX12-360	12	703.7	506.6	360.0	90	12.05	306	6.61	168	8.15	207	8.27	210	65.0	29.5	M6	
PLX12-420	12	793.3	570.0	420.0	100	13.42	340.9	6.69	170	8.39	213.2	8.49	215.7	72.8	33.0	M6	
PLX12-500	12	847.0	675.4	500.0	125	13.42	340.9	6.69	170	10.76	273.2	10.85	275.7	91.5	41.5	M6	
PLX12-540	12	896.8	728.2	540.0	135	13.42	340.9	6.69	170	10.76	273.2	10.85	275.7	94.8	43.0	M6	
PLX12-620	12	956.6	775.7	620.0	150	13.42	340.9	6.69	170	10.76	273.2	10.85	275.7	98.1	44.5	M6	
<b>12V Front Terminal Pure Lead Punched Grid - 20YR Design Life</b>																	
PLX12-165FT	12	284.5	205.5	165.0	38	11.76	298.7	3.82	97	7.24	184	7.24	184	27.5	12.5	M6	
PLX12-260FT	12	451.9	323.0	260.0	62	11.76	298.7	3.82	97	10.51	267	10.51	267	43.9	19.9	M6	
PLX12-400FT	12	670.0	501.2	405.0	100	15.96	405.4	4.25	108	11.30	287	11.30	287	69.4	31.5	M6	
PLX12-450FT	12	805.6	568.6	450.0	110	22.01	559	4.92	125	8.94	227	8.94	227	83.7	37.7	M6	
PLX12-600FT	12	950.0	737.9	600.0	150	22.48	571	4.92	125	10.24	260	10.24	260	104.7	47.6	M6	
PLX12-620FT	12	950.0	769.4	620.0	150	22.01	559	4.92	125	10.91	277	10.91	277	106.9	48.5	M6	
PLX12-700FT	12	983.9	829.2	715.0	190	22.01	559	4.92	125	12.60	320	12.60	320	127.9	58.0	M6	
PLX12-730FT	12	1052.6	868.6	730.0	200	22.48	571	4.92	125	12.60	320	12.60	320	134.2	61.0	M6	

\*\* Rated Capacity (Ah) = 1.80 V/Cell @ 25°C (77°F)



TS16949

ISO14001

ISO9001

OHSAS18001