



# PLH-Pure Lead Punched Grid PLH100(12V100Ah)

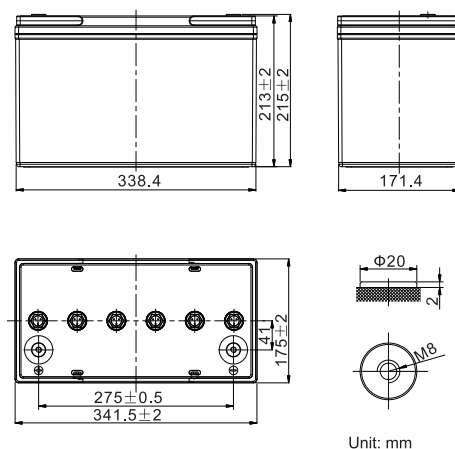


## Specifications

Rated Voltage	12V	
Nominal Capacity	C <sub>10</sub> , 1.80V/cell	100Ah
	C <sub>8</sub> , 1.75V/cell	96Ah
Dimension	Length	341.5±3mm (13.44 inches)
	Width	175±2mm (6.89 inches)
	Container Height	213±3mm (8.39 inches)
	Total Height	215±3mm (8.46 inches)
Approx. Weight	31.2 Kg (68.8 lbs)	
Terminal	M8 Insert (Optional M6 Insert)	
Container Material	PC-ABS flame retardant jar and cover to UL94 V-0	
Rated Capacity (25°C)	105.0 Ah	(20hr, 5.30A, 1.80V/cell)
	100.0 Ah	(10hr, 10.0A, 1.80V/cell)
	87.0 Ah	(5hr, 17.4A, 1.75V/cell)
	77.7 Ah	(3hr, 25.9A, 1.75V/cell)
	68.0 Ah	(1hr, 68.0A, 1.67V/cell)
Max. Discharge Current	1250A	
Internal Resistance (25°C)	Approx. 3.5mΩ(Fully charged)	
Operating Temp.Range	Discharge	-40 ~ 65°C (-40 ~ 149°F)
	Charge	0 ~ 40°C (32 ~ 104°F)
	Storage	-20 ~ 40°C (-4 ~ 104°F)
Nominal Operating Temp. Range	25±3°C (77±5°F)	
Max.Charging Current(25°C)	30.0A	
Charge voltage(25°C)	Float	13.62V
	Temp. Coefficient	-3mV/cell/°C
	Equalization	14.1~14.4V
Effect of temp. to Capacity	40°C (104°F)	103%
	25°C (77°F)	100%
	0°C (32°F)	86%
Self Discharge	<p>PLH series batteries can be stored up to 24 months at 25°C(77°F), For higher temperatures the time interval will be shorter.</p> <p>Battery needs to be given a freshening charge when the OCV approach 2.10V/cell or when the maximum storage time is reached, whichever occurs first.</p>	



## Layout



## Constant Current Discharge (Amperes) at 25 °C (77° F)

F.V/Time	10 min	15min	20min	30min	45min	1h	2h	3h	4h	5h	8h	10h	20h
1.85V/cell	194.1	160.4	137.7	106.8	79.3	61.7	34.3	24.5	19.7	16.6	11.5	9.80	5.19
1.80V/cell	216.6	176.2	147.6	111.9	82.2	64.0	35.4	25.4	20.3	17.0	11.8	10.0	5.30
1.75V/cell	229.7	184.3	153.9	115.5	84.5	65.7	36.2	25.9	20.8	17.4	12.0	10.1	5.38
1.70V/cell	241.9	192.0	158.6	118.9	86.3	67.0	36.9	26.4	21.1	17.7	12.1	10.3	5.42
1.67V/cell	262.2	204.1	166.2	122.0	87.6	68.0	37.5	26.9	21.4	18.0	12.3	10.4	5.46
1.60V/cell	276.5	212.8	172.4	125.4	89.3	69.2	38.3	27.3	21.8	18.3	12.5	10.5	5.51

## Constant Power Discharge (Watts/cell) at 25 °C (77° F)

F.V/Time	10 min	15min	20min	30min	45min	1h	2h	3h	4h	5h	8h	10h	20h
1.85V/cell	368.3	306.8	265.0	207.9	156.7	122.3	68.5	49.1	39.6	33.5	23.4	19.9	10.6
1.80V/cell	404.4	332.6	281.2	216.4	161.6	126.1	70.3	50.7	40.7	34.2	23.8	20.3	10.8
1.75V/cell	424.5	344.6	290.8	221.6	164.8	128.8	71.6	51.5	41.5	34.9	24.2	20.5	10.9
1.70V/cell	440.2	354.7	296.8	226.2	167.3	130.6	72.6	52.3	42.0	35.4	24.4	20.7	11.0
1.67V/cell	472.5	373.2	308.4	231.1	169.2	132.1	73.6	53.0	42.5	35.9	24.7	20.9	11.1
1.60V/cell	484.9	381.0	314.7	234.6	170.6	133.2	74.4	53.5	42.9	36.2	24.9	21.0	11.2



# PLH-Pure Lead Punched Grid PLH100(12V100Ah)



## Applications

- Telecommunication
- Railway signal
- Alarm and security system
- Power station systems
- Emergency power supply

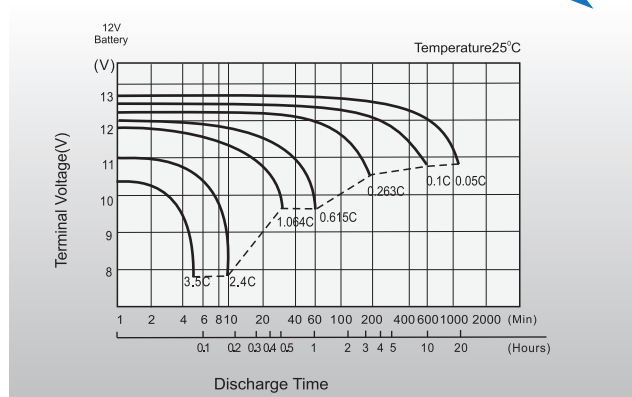
## General Features

- 20 years design life(25°C)
- Premium ABS+PC jar & covers, Flame Retardant to UL94 V-0
- High-rate performance, high energy density
- High quality AGM separators minimize electrical resistance to allow high current discharging properties

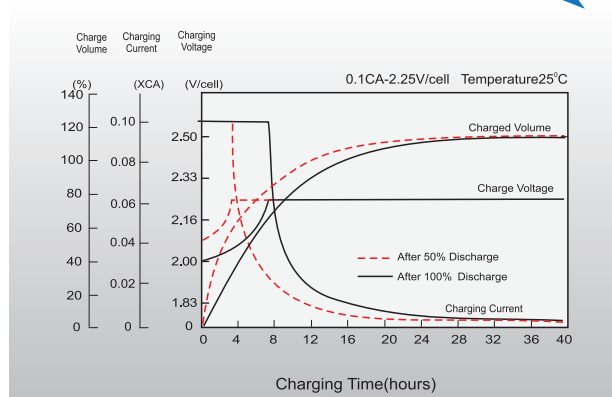
## Standards

- Meets Telcordia® NEBS™ Level III, GR63 Requirements
- Classified as “Very Long Life” according to Eurobat IEC 60896-21 & 22
- CE, UL Certified
- Manufactured in LEOCH® IATF16949, OSHAS 18001, ISO 9001 and ISO 14001 Certified Production Facilities

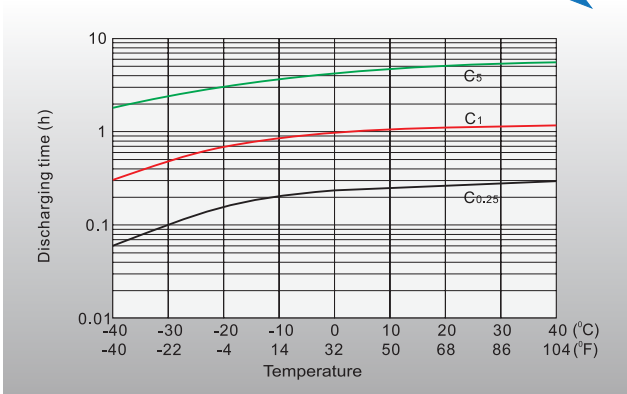
## Discharge Characteristics



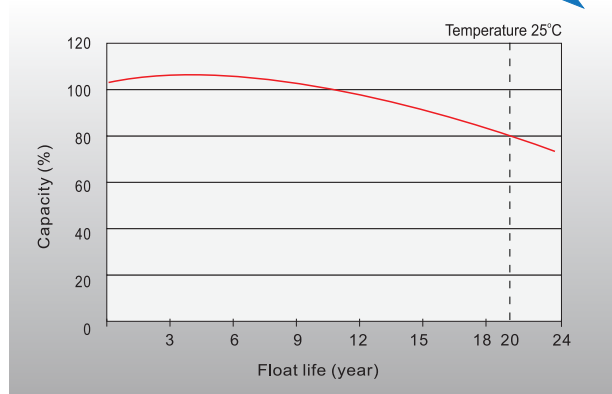
## Float Charging Characteristics



## Effects of Temperature on Discharging Time



## Float Life



## Sales Offices Worldwide

### China Sales Office

5th Floor, Xinbaohui Bldg., Nanhai Blvd.,  
Nanshan, Shenzhen, China. 518052  
Tel: +86-755-86036060 (100 lines)  
Fax: +86-755-26067269  
E-mail: export@leoch.com

### HongKong Sales Office

Workshop C, 33/F, TML Tower, No. 3 Hoi Shing Road,  
Tsuen Wan, New Territories, Hong Kong  
Tel: +852 35786666  
Fax: +44 1452 690125  
E-mail: sales.hk@leoch.com

### Singapore Sales Office

No. 1 Tech Park Crescent,  
Singapore 638131  
Tel: +65 68636078  
Fax: +65 6863 6079  
Email: sales.sg@Leoch.com

### Australia Sales Office

2 /29 Tarlington Place, Smithfield, NSW 2164  
Australia  
Tel: 02 9756 0950  
E-mail: sales.au@leoch.com

### North America Sales Office

19751 Descartes  
Foothill Ranch, CA 92610, USA  
Tel: 949-588-5853  
Fax: 949-588-5966  
E-mail: sales@leoch.us

### UK Sales Office

9B Wheatstone Court, Waterwells, Business Park,  
Gloucester, GL2-2AQ, UK United Kingdom  
Tel: +44(0) 1452 729428 / 1452 729696  
Fax: +44 1452 690125  
E-mail: Sales.Europe@leoch.com

### EMEA Sales Office

1 Deligiorgi St., 121 31 Athens,  
Greece  
Tel: +30 210 5760318 (2 lines)  
E-mail: support\_EMEA@leoch.com

### India Sales Office

Shed no.A-53(b), 2nd Stage of Peenya Industrial Area,  
Bangalore North Taluk, Bangalore-560058, India  
Tel: +91-80-23440018/23440019  
Fax: +91-80-23440017  
E-mail: indiasales@leoch.com



[Http://www.leoch.com](http://www.leoch.com)  
[Http://www.leoch.us](http://www.leoch.us)

© 2019 LEOCH. All rights reserved.

Trademarks and logos are the property of LEOCH and its affiliates unless otherwise noted.  
Subject to revisions without prior notice.

Publication No.: LB-PLH100-PD-EN-V3.3-201904