

CU2W

WET LOCATION LED EMERGENCY LIGHT

FEATURES

- LED life-cycle of more than 10 years
- Quick installation
- Dual-voltage 120 or 277V AC input
- Includes long-life 9.6VDC Nickel Cadmium battery for UL recognized 90 minute operation
- Remote capacity or extended runtime option
- Wet Location Listed (0°C to 50°C)
- Fully adjustable lamp-heads
- Provided with water-proof test switch and AC-On indicator

tradeSELECT®



RELATED PRODUCTS

[CIR Remote](#)

[COR Remote](#)



SPECIFICATIONS

DESCRIPTION

- The CU2W Series offers LED performance and value with a compact and attractive wet location LED based emergency light
- The grey housing is made of corrosion resistant UV stabilized polycarbonate
- Lamp-heads are fully adjustable, sealed and gasketed
- Lamp-head consists of metallized high-performance reflector and 15 ultra-bright LED's with tempered glass lens
- Includes external mounting brackets for ease of installation.

DESCRIPTION (CONT'D)

- The CU2W has adequate capacity to run 1 CWRD double-head remote or 2 CWRS single-head remotes at 9.6VDC for 90 minutes
- Includes long-life Nickel Cadmium (NiCad) or Nickel Metal Hydride (NiMH) battery for UL recognized 90 minute emergency lighting
- Remote Capacity(RC) models have a minimum runtime of 120 minutes when no remotes are installed

APPLICATION

- The CU2W Series can be applied in areas that are susceptible to rain and severe moisture like pool areas, parking decks, and other commercial applications.

COMPLIANCES

- UL924 Listed for Damp Location
- NFPA 101 and NFPA 70
- OSHA

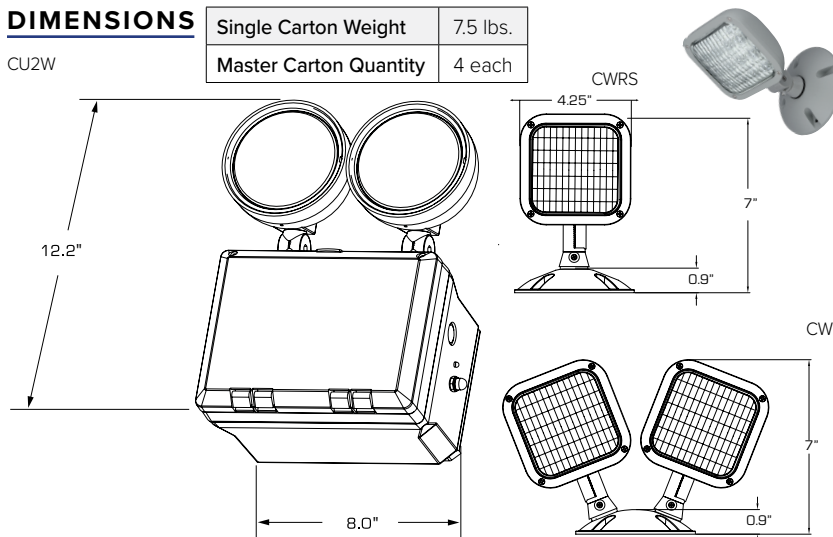
WARRANTY

- 2 year full unit warranty
- See [HLI Standard Warranty](#) for additional information

ORDERING GUIDE

Catalog Number	Description	Lamp Watts (Each)	Accessories (Order Separately)	
CU2WG	Dual-Head Fully Adjustable, Grey Finish	1,875W	CWRS	Die-Cast Outdoor Single-Head LED Remote for CU2W Only, Grey Finish
CU2WB	Dual-Head Fully Adjustable, Black Finish	1,875W	CWRD	Die-Cast Outdoor Double-head LED Remote for CU2W Only, Grey Finish

DIMENSIONS



INPUT POWER REQUIREMENTS

CU2W	Input Watts (W)		Input Amps (A)	
	120V	277 V	120 V	277 V
	2.7	2.7	0.03	0.013