

## IMPORTANT

The battery in this unit may not be fully charged. After electricity is connected to the unit, let battery charge up to 24 hours. Then the normal operation of this unit should take effect. To check press the “TEST” button and the lights on the unit should turn ON

## IMPORTANT SAFEGUARDS

When using electrical equipment, basic safety precautions should always be followed including the following.

### READ AND FOLLOW ALL SAFETY INSTRUCTIONS

1. Do not use outdoors.
2. Equipment should be mounted in locations at heights where it will not be subject to tampering by unauthorized personnel.
3. Do not mount near gas or electric heaters.
4. The use of accessories not recommended by the manufacturer may cause an unsafe condition.
5. Do not use this equipment for other than its intended use.
6. Servicing of this equipment should be performed by qualified personnel.
7. Disconnect AC power before servicing.

### INSTALLER:

- SEE UNIT LABEL FOR ADDITIONAL MODEL SPECIFICATIONS
- SAVE THESE INSTRUCTIONS FOR USE BY OWNER/OCCUPANT



#### RECYCLING INFORMATION

All steel, aluminum and thermoplastic parts are recyclable. All cartons contain recycled materials.  
Please recycle responsibly.

### J-Box Mounting

1. Feed fixture leads through back plate and connect AC power supply (Fig A).
2. Connect wires through J-Box. Secure back plate on to J-Box with screws.
3. Connect battery only after AC power can be provided to the unit (Fig. B).
4. Align snaps and push housing directly onto back plate (Fig. C). Supply AC power and press "TEST" button to check light.

### Conduit Mounting

1. Secure back plate to wall surface . Route wires through hole in conduit flange and make conduit connection.
2. Connect battery only after AC power can be provided to the unit (Fig. B).
3. Align snaps and push housing directly onto back plate (Fig. C). Supply AC power and press "TEST" button to check light.



Fig. A (J-box)

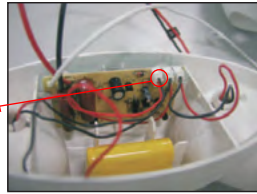
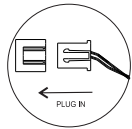


Fig. B



Fig. C

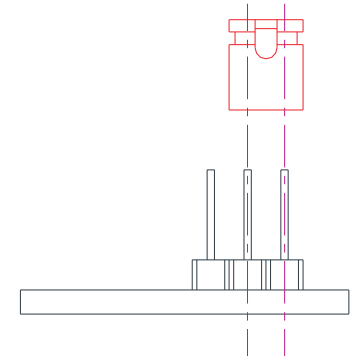
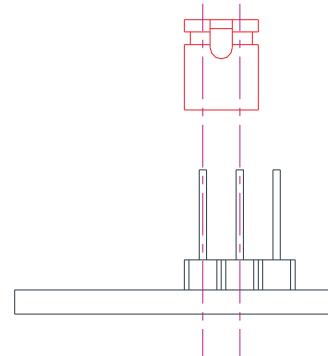
**Warning:**  
Unused wires must be capped using enclosed wire nuts.

1. During an electrical power failure, the lamps on the unit will automatically come ON for a minimum of 90 minutes.
2. To test this unit, let it charge correctly with AC power supply for a minimum of 24 hours after its first installation and then depress the "TEST" switch, the emergency lamps will illuminate. When the switch is released, the lamps will turn OFF.
3. For the unit with Self-Diagnostic, must connect as below:
  - 1)When customer doesn't need remote lamp,please insert terminal to N.(See Figure 1 below)
  - 2) When customer needs remote lamp,please insert terminal to Y.( See Figure 2 below)

Figure 1



Figure 2



### WIRING DIAGRAM

