



# Remote Status Panel /System Monitoring / Emergency Power off Options

For Central AC Inverter Systems

## RSP Wiring Instructions

The **RSP (Remote Status Panel)** provides a mean of monitoring system operation from a remote location. The RSP option is comprised of 2 components: a **Remote Status Indicator Panel** and an **I/O (Input/ Output) PC Board** to which the panel gets wired.

The Remote Status Panel duplicates all 5 LED's displayed on the system's UID (User Interface Panel) to inform the user of the system's operational status. Any alarm conditions will be relayed to the Remote Status Panel for user intervention. Alarms cannot be acknowledged from the Remote Status Panel. Alarm events can only be acknowledged at the system's UID control panel.

Mount the RSP at the desired location. **Do not mount the RSP more than 1000 feet from the unit, LED brightness and Alarm amplitude will be reduced.**

Connect the Remote Status Panel to the I/O PC Board using a 22 gauge (minimum), 7-conductor plenum cable.

Locate the I/O PC Board within the system's electronics cabinet. See **Fig. 1** below.

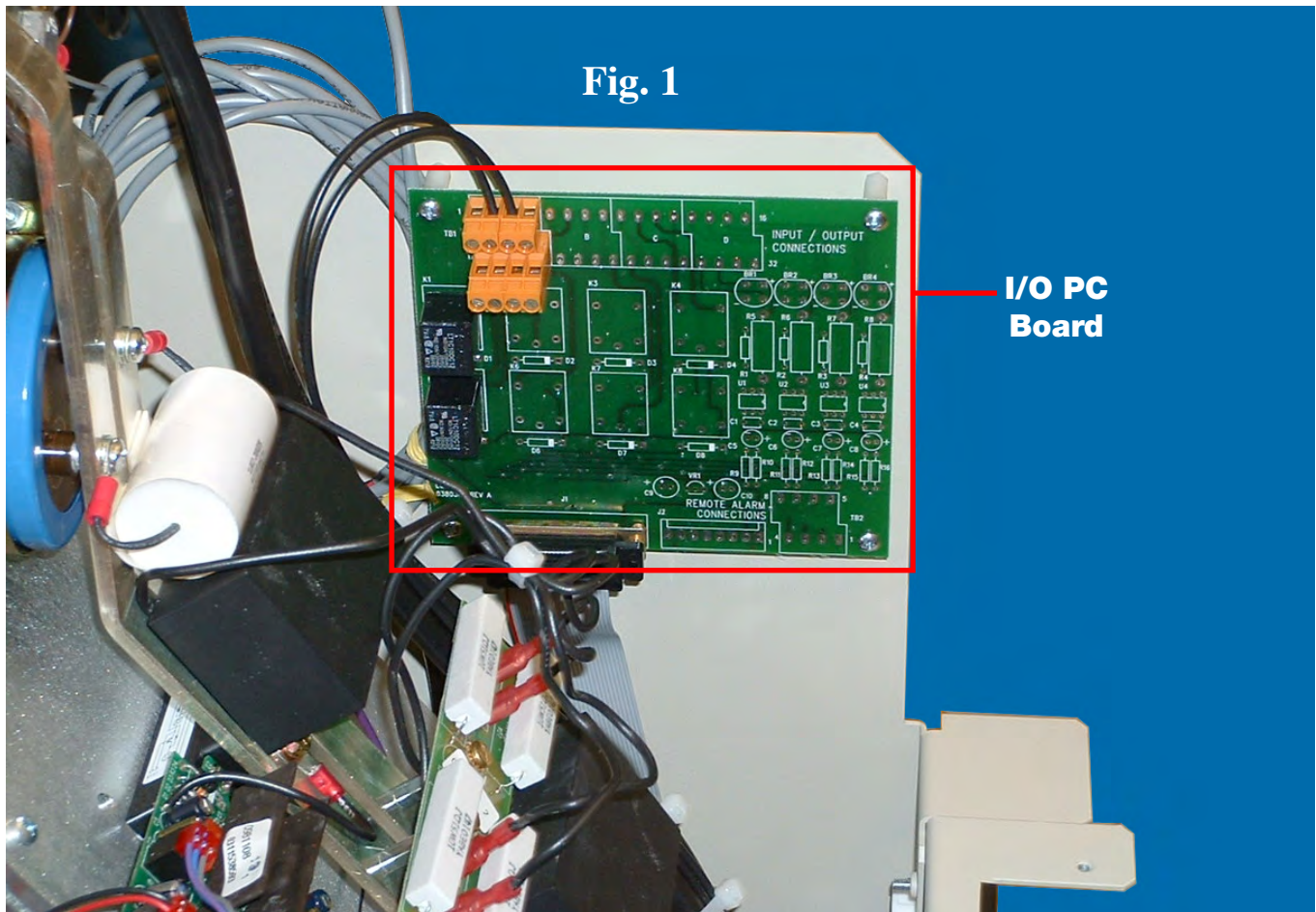


Fig. 1

I/O PC  
Board

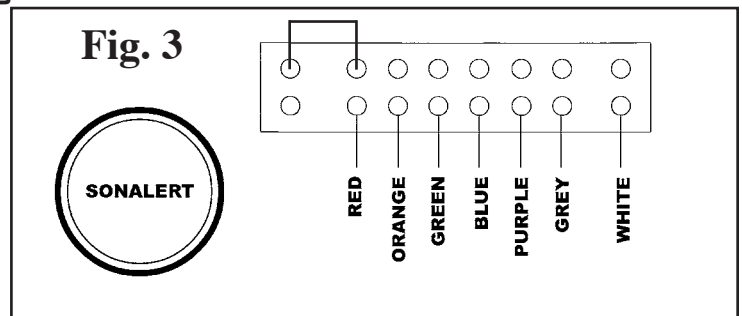
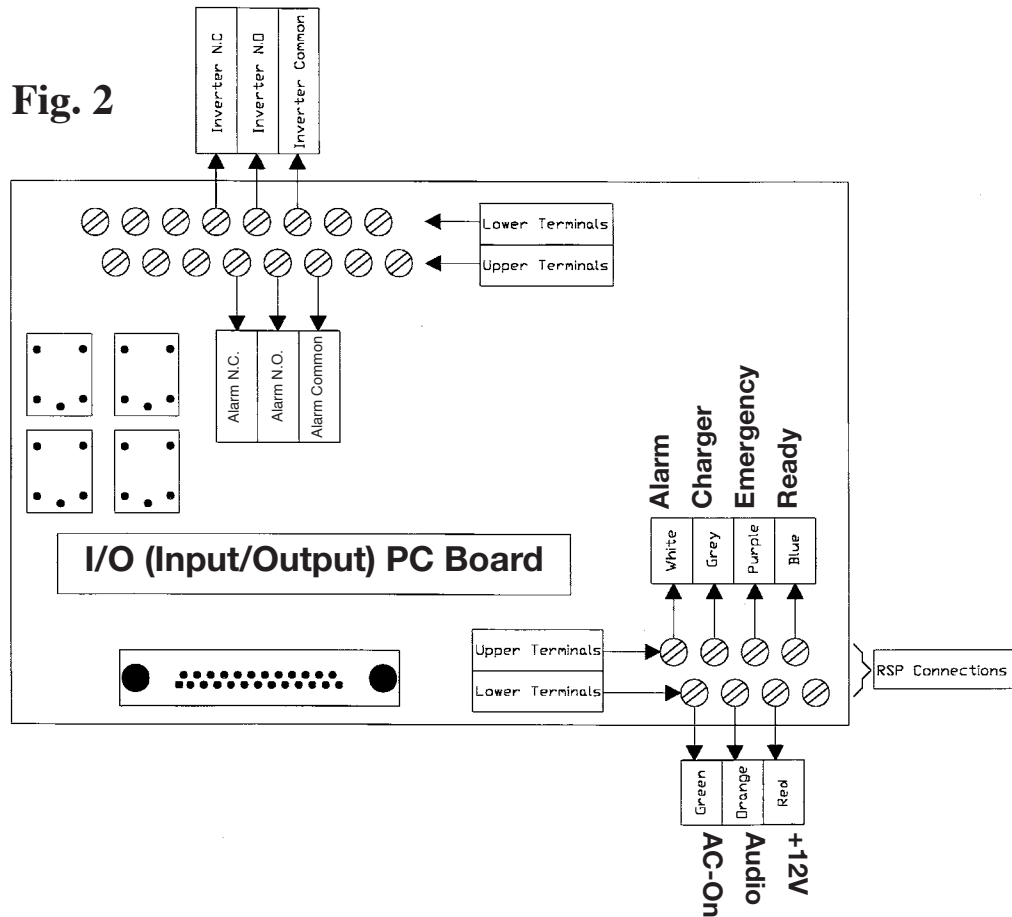
- 1) Make sure system is turned completely OFF. Follow the Shut Down Procedure as described in Section 300.1 of the User Manual.
- 2) All connections for the RSP are made to the terminal block at the bottom of the PC Board. For connection diagram see **Fig. 2**.
- 3) Make connections within the RSP box as indicated in **Fig. 3**.
- 4) Restart system following the Start-Up procedure as outlined in Section 110 in the User Manual.

## SMT Wiring Instructions

The **SMT (System Monitoring Terminals) Option** provides connection terminals for the Remote Status Panel Option (used only if RSP option is required), and (2) Form C low power relay contacts. One set of contacts monitors the Inverter, the other set monitors the Alarms. Should the state of either change, the relays will energize. Maximum contact ratings are .5 amps at 28 VDC.

All connections for the System Monitoring Terminals are located on the I/O PC Board.

See **Fig. 2** for contact location and description. Wire sizes and type are to be determined by the installing contractor.



## EPO Wiring Instructions

The **EPO** (Emergency Power Off) Option provides connection terminals to disable the output of the inverter, regardless of operating mode. A normally open, emergency stop switch is connected to TB1-15 (+) and TB1-16 (-) on the Option Board (as shown in **Fig. 4** below) located in the inverter cabinet on the right hand interior wall. The emergency switch should be located no more than 100 feet from the inverter.

When the switch is closed the inverter's output will be shut off, regardless of operating mode/status. Please note that there may be a delay of up to one minute to ensure that the inverter's output power is not shut off if the switch is only momentarily closed, i.e. to prevent unwanted, accidental shut down.

Fig. 4

