

ATSD/BCCR Series

Auxiliary Transfer / Control Relay

INVERTERS



FEATURES

- Suitable for use with indoor-dry or damp location fixtures
- | | |
|---------------|---|
| ATSD | <ul style="list-style-type: none"> • Maximum load: 3 Amps • 120/277VAC 60Hz Operation • Bypasses local switch • Compatible with all fluorescent, LED and incandescent fixtures • Temperature range: -20°C to 65°C (-4°F to 149°F) • UL 924 Damp Location Listed |
| ATSD20 | <ul style="list-style-type: none"> • Maximum load: 20 Amps • 120-277VAC 50/60Hz Operation • Bypasses local switch or dimmer • Compatible with all lamps types • Temperature range: -20°C to 55°C (-4°F to 131°F) • UL 1008 Transfer Switch Equipment Listed |
| BCCR20 | <ul style="list-style-type: none"> • Maximum load: 20 Amps • 120-277VAC 50/60Hz Operation • Bypasses local switch or dimmer • Compatible with all lamp types • Temperature Range -20°C to 55°C (-4°F to 131°F) • UL 924 Damp Location & UL1008 Transfer Switch Listed |

ORDERING INFORMATION



MODEL

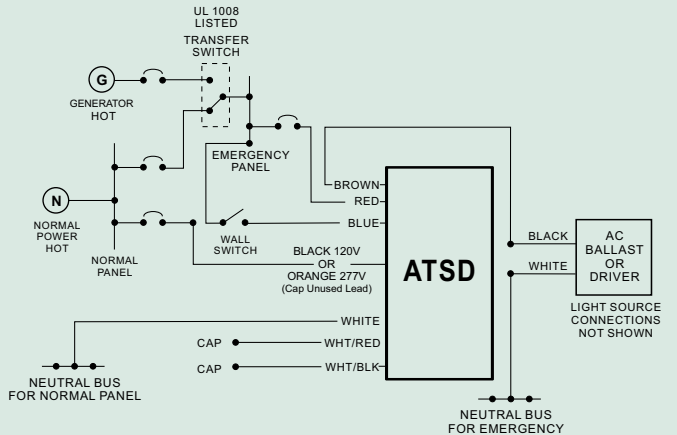
- ATSD** Temperature range: -20°C to 65°C (-4°F to 149°F)
- ATSD20** Temperature range: -20°C to 55°C (-4°F to 131°F)
- BCCR20** Temperature range: -20°C to 55°C (-4°F to 131°F)

INSTALLATION

The auxiliary transfer switching device and control relay device do not affect normal fixture operation and come fully assembled. In addition to available wiring, they require a direct, unswitched connection to an inverter- or generator-supplied emergency panel and an unswitched source on the same branch circuit as the switched supply (see diagrams below).

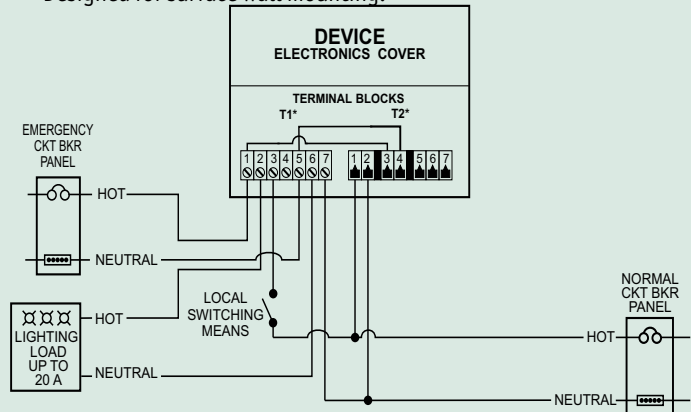
MODEL ATSD

Designed to mount in the fixture ballast channel.



MODEL ATSD20 / BCCR20

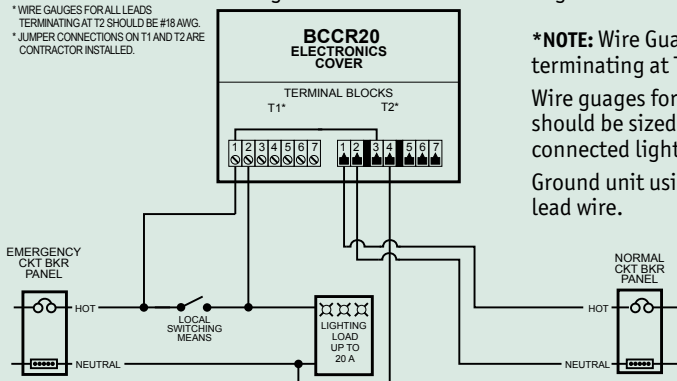
As a UL 1008 Branch Circuit Transfer Switch
Designed for surface wall mounting.



MODEL BCCR20

As a UL 924 Load Control Relay
Designed for surface wall mounting.

* WIRE GAUGES FOR ALL LEADS TERMINATING AT T2 SHOULD BE #18 AWG.
* JUMPER CONNECTIONS ON T1 AND T2 ARE CONTRACTOR INSTALLED.



***NOTE:** Wire Gauges for ALL leads terminating at T2 should be #18 AWG.
Wire gauges for all other connections should be sized according to total connected lighting load.
Ground unit using supplied green lead wire.

ATSD/BCCR Series

Auxiliary Transfer / Control Relay

FUNCTIONALITY

The auxiliary transfer or control relay device senses the loss of normal power and switches the AC input power connection to an unswitched, generator or inverter supplied lighting circuit. They work in conjunction with an auxiliary power system regardless of fixture wall switch position to power existing fixtures for egress lighting.

One device per fixture is used to bypass the fixture wall switch or dimmer allowing the building's secondary power supply to bring on switchable luminaires and not just those on 'night-lite' circuits. Luminaires containing certain dimming ballasts may require two ATSDs per fixture. Please consult factory for your particular application.

DIMENSIONS

