

High Capacity Emergency Light

FEATURES

- High capacity emergency unit for commercial or light industrial applications
- White, corrosion-resistant, heavy gauge steel housing in 6 or 12 volt models
- Includes High wattage Incandescent or optional LED lamp heads
- Fully adjustable, glare free, high-output incandescent lamp heads
- Maintenance-free battery with fully automatic solid state charger
- 120/277 60 Hz VAC operation, test switch and LED AC-On indicator light
- Transformer isolation, surge, transient and low voltage disconnect protection
- Reverse polarity, short circuit and AC lockout protection
- Extended remote capacity and time delay retransfer (TDR with Spectron only)
- Temperature range: 20°C to 30°C (68°F to 86°F), damp: 10°C to 40°C (50°F to 104°F)
- UL 924 Listed (optional damp location listed)



ORDERING INFORMATION

MODEL	CAPACITY	BATTERY TYPE	RATING	OUTPUT VOLTAGE	SELF DIAGNOSTICS
LM	2 10.8 Watt	Blank Lead Calcium	Blank None	Blank 6 Volt	Blank None
	15 15 Watt**	N Nickel	D Damp	12V 12 Volt ⁶	I Spectron Self-test/Self-diagnostic Electronics ^{1,3,4}
	16 16 Watt	C Cadmium*			
	28 28 Watt*				
	30 30 Watt**				
	33 33 Watt				
	34 34 Watt*				
	40 40 Watt				
	50 50 Watt**				
	56 56 Watt*				
	66 66 Watt				
	68 68 Watt*				
	80 80 Watt				
	100 100 Watt**				
	112 112 Watt*				
	130 130 Watt				

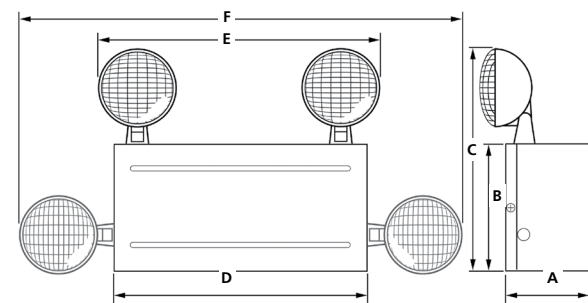
*Capacity wattage may change depending upon option

¹Not available with LM2 model.
²Not available with LM15N or LM16 models.
³NOTE: Spectron models with over 80 watts of capacity require a minimum load of 35 watts for accurate lamp failure indications.
⁴Not available with Nickel-Cadmium battery models.
⁵Not available with LM28D models.
⁶Not available with LM2, LM15, LM16, LM28, LM30 and LM33 models
⁷03L lamps only available with LM2, LM33 and LM33I models

OPTIONS	
V	Voltmeter
3	3 Lampheads ^{1,2}
4	4 Lampheads ^{1,2,5}
0	0 Lampheads ^{1,2,3}
A31	Aux 3-conductor cord-120 volt
A32	Aux 3-conductor cord-277 volt
03L	3 watt LED lamp heads ⁷

OPTIONAL LAMPS	
SRHSW0608	6V, 8W Halogen, plastic lamp head
SRHSW0612	6V, 12W Halogen, plastic lamp head
SRHSW0618	6V, 18W Incandescent, plastic lamp head
SRHSW0620	6V, 20W Halogen, plastic lamp head
SRHSW0625	6V, 25W Incandescent, plastic lamp head
SRHSW1208	12V, 8W Halogen, plastic lamp head
SRHSW1212	12V, 12W Halogen, plastic lamp head
SRHSW1218	12V, 18W Incandescent, plastic lamp head
SRHSW1225	12V, 25W Incandescent, plastic lamp head
SRHSW1235	12V, 35W Incandescent, plastic lamp head
AHDSW1250	12V, 50W Halogen, metal lamp head

To order metal lamp heads, replace SRH with AHD. 50W is available with metal heads only.
 To order two optional, non-standard lamps on the fixture, suffix catalog number. Example: LM100-SRHSW0612.



ENCLOSURE STYLE	A	B	C	D	E	F
20 gauge steel	3 7/8"	5 3/4"	11 1/2"	13 1/2"	15 3/4"	25"
18 gauge steel	4 3/4"	7 3/4"	13 1/2"	15 3/4"	18"	27 1/4"
	12.1 cm	19.7 cm	34.3 cm	40.0 cm	45.7 cm	69.2 cm

High Capacity Emergency Light

SPECIFICATIONS

03L Lamp Models

03L LAMP MODELS	DC VOLTS	LAMP WATTS	REMOTE CAPACITY	REMOTE WATTS	1 1/2 HOURS	2 HOURS	3 HOURS	4 HOURS
LM2-03L	6	3W	No	-	10.8	7	-	-
LM33-03L	6	3W	Yes	27	33	25	17	13
LM33I-03L	6	3W	Yes	27	33	25	17	13

Note- LM33I -03L must be loaded to a minimum of 12W including remotes

Standard Models*

CATALOG NUMBERS	ENCLOSURE STYLE	OUTPUT VOLTS	ELECTRICAL				STANDARD LAMP	REMOTE CAPABILITY
			OUTPUT WATTS					
			1.5 HOURS	2 HOURS	3 HOURS	4 HOURS		
LM2	1	6	10.8	--	--	--	5.4W	No
LM16	1	6	16	--	--	--	7.2W	No
LM33	1	6	33	25	17	13	7.2W	Yes
LM40	1	6	40	31	21	16	7.2W	Yes
LM66	2	6	66	51	35	27	7.2W	Yes
LM80	2	6	80	62	43	33	7.2W	Yes
LM130	2	6	130	101	70	54	7.2W	Yes
LM40-12V	1	12	40	31	21	16	7.2W	Yes
LM66-12V	2	12	66	51	35	27	7.2W	Yes
LM80-12V	2	12	80	62	43	33	7.2W	Yes
LM130-12V	2	12	130	101	70	54	7.2W	Yes

*Meets New York City Requirements

Nickel-Cadmium Models

CATALOG NUMBERS	ENCLOSURE STYLE	OUTPUT VOLTS	ELECTRICAL				STANDARD LAMP	REMOTE CAPABILITY
			OUTPUT WATTS					
			1.5 HOURS	2 HOURS	3 HOURS	4 HOURS		
LM15N	1	6	14.4	--	--	--	7.2W	No
LM30N	1	6	30	25	17	13	7.2W	Yes
LM50N	1	6	50	42	29	22	7.2W	Yes
LM50N-12V	2	12	50	42	29	22	7.2W	Yes
LM100N-12V	2	12	100	85	59	46	7.2W	Yes

Damp Location Models

0.0225 IN	ENCLOSURE STYLE	OUTPUT VOLTS	ELECTRICAL				STANDARD LAMP	REMOTE CAPABILITY
			OUTPUT WATTS					
			1.5 HOURS	2 HOURS	3 HOURS	4 HOURS		
LM28D	1	6	28	21	15	11	7.2W	Yes
LM34D	1	6	34	26	18	14	7.2W	Yes
LM56D	2	6	56	43	30	23	7.2W	Yes
LM68D	2	6	68	53	35	28	7.2W	Yes
LM112D	2	6	112	87	60	47	7.2W	Yes
LM34D-12V	1	12	34	26	18	14	7.2W	Yes
LM56D-12V	2	12	56	43	30	23	7.2W	Yes
LM68D-12V	2	12	68	53	36	28	7.2W	Yes
LM112D-12V	2	12	112	87	60	47	7.2W	Yes

ACCESSORIES

MODEL	DESCRIPTION
40G	Wire guard (Top mounted heads only)
Matching Remote Fixtures	
SRHSW	Single matching remote head — white*
SRHDW	Twin matching remote head — white*
OCR-03L	Outdoor LED Remote Heads
CPR-03L	Indoor LED Remote Heads

*Supplied with round mounting plate. Specify voltage and wattage when ordering. Example: SRHDW1212. See "Remote Heads and Fixtures" section for available lamps.