

LED Replacement  
Contact factory



**RECYCLING INFORMATION**

All steel, aluminum and thermoplastic parts are recyclable.  
All cartons contain recycled materials.  
Please recycle responsibly.

**DUAL LITE**

**PGF1 LED Wallpack**  
High Performance LED Wallpack For Indoor  
Or Outdoor Application  
Installation, Operation and Service Instructions

**PATENTS  
PENDING**



**IMPORTANT SAFEGUARDS**

When using electrical equipment, basic safety precautions should always be followed including the following.

**READ AND FOLLOW ALL SAFETY INSTRUCTIONS**

1. Do not let power supply cords touch hot surfaces.
2. Do not mount near gas or electric heaters.
3. Equipment should be mounted in locations and at heights where it will not readily be subject to tampering by unauthorized personnel.
4. The use of accessory equipment not authorized by the manufacturer may cause an unsafe condition.
5. Do not use this equipment for other than its intended purpose.
6. Servicing of this equipment should be performed by qualified service personnel.

**INSTALLER:**

- SEE UNIT LABEL FOR ADDITIONAL MODEL SPECIFICATIONS
- SAVE THESE INSTRUCTIONS FOR USE BY OWNER/OCCUPANT

**WARNING** – This product contains chemicals known to the State of California to cause cancer, birth defects and/or other reproductive harm. Thoroughly wash hands after installing, handling, cleaning, or otherwise touching this product.

93021413  
93021935  
93021938  
93021939  
93036084  
93036085  
93036096

Hubbell Lighting, Inc. Life Safety Products • [www.dual-lite.com](http://www.dual-lite.com)

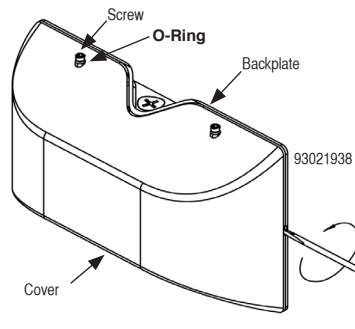
Copyright © Hubbell Lighting, Inc., All Rights Reserved • Specifications subject to change without notice. • Printed in U.S.A.

93036067 11/11



Hubbell Lighting, Inc.

## INSTALLATION



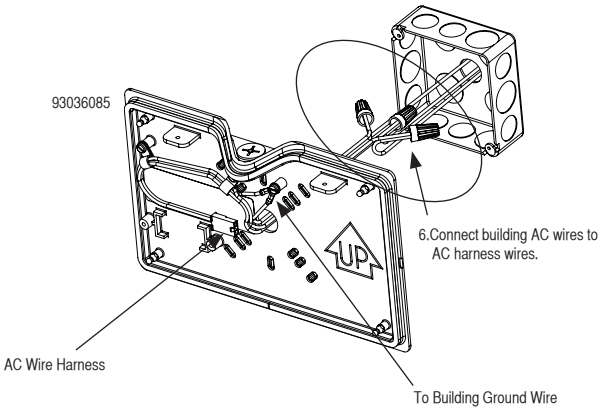
2. Remove 7/8" diameter K.O. from backplate if mounting to electrical box or remove 1/2"-1/4NPT pipe plug if using conduit.

### CONDUIT MOUNTING:

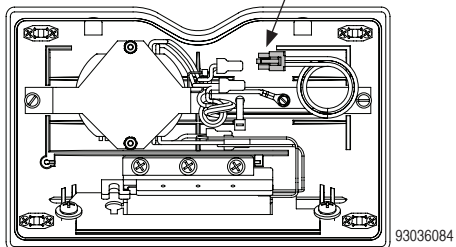
If unit is not secured to mounting surface using unit backplate K.O. pattern and supplied gasket, use sealant to create waterproof seal between the mounting surface and the unit backplate.

### IMPORTANT!

To weatherproof your outdoor installation, be sure to seal all fixture openings - mounting, conduit, etc.



7. Connect AC wire harness to AC wire harness on unit backplate.

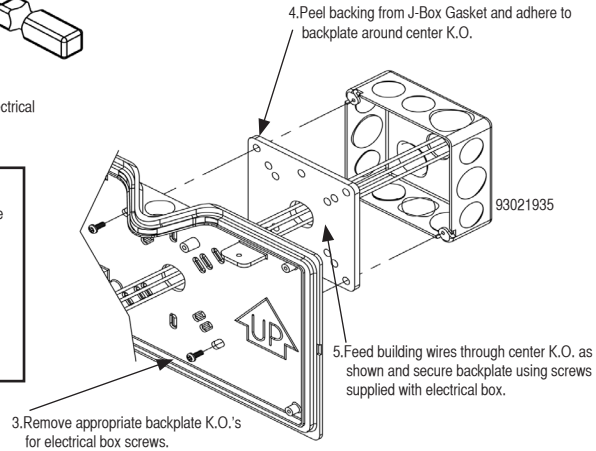


9. Attach unit cover to backplate by reversing Step 1. Ensure all wires are within enclosure to avoid pinching with cover.

1. Open the unit by loosening both screws on top of unit until screws spin freely. Pry cover from backplate, and remove cover squarely from backplate. (Remove screws prior to re-installing cover.)

### IMPORTANT:

Once unit is connected and cover is snapped onto backplate, gently seat screws onto O-ring seals to less than 1/2FT-LB (.7N-m). DO NOT OVERTIGHTEN! O-RING MAY BE DAMAGED AND THE UNIT WILL LEAK IF ABOVE IS NOT FOLLOWED.



3. Remove appropriate backplate K.O.'s for electrical box screws.

<b>120VAC</b>	Connect black (hot) and neutral (white) to supply.
<b>277VAC</b>	Connect black (hot) and neutral (white) to supply.
<b>Ground</b>	Connect ground (green) conductor.

### NOTE:

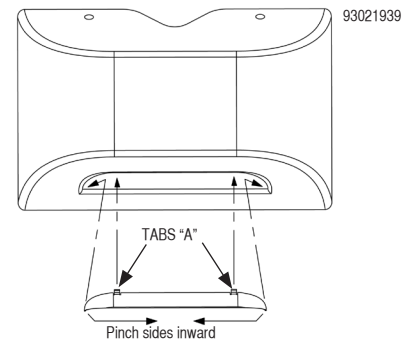
Feed wires and nuts back into electrical box through backplate as shown.

## OPERATION

Unit will operate from 120 or 277VAC through 2 wire intelligent input.

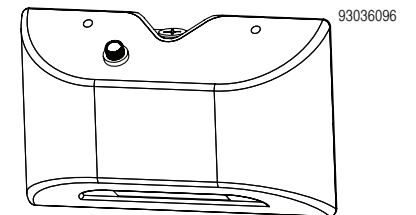
Photo-cell option: Unit will operate on 120VAC only, through 2 wire input.

### Full Cut-off Shield Installation



- Slide tabs "A" between housing and lens gasket.
- Pinch sides of shield inward and seat shield against lens.
- Release pinched sides of shield to secure to unit.

### Photo-Cell Option



There will be a delay of up to 2 minutes to prevent false switching due to momentary flashes of light.