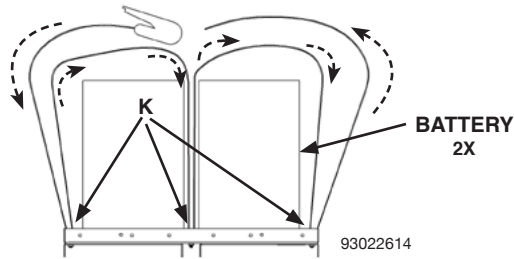


Fig. 7

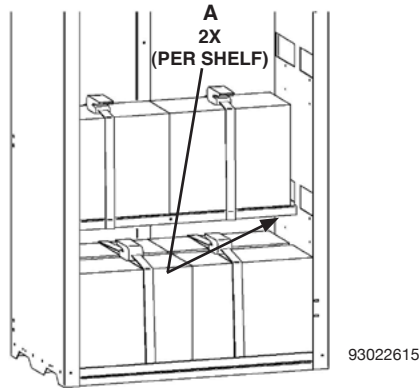


Place front batteries in between middle and front "K" anchors and thread straps OVER batteries as shown in Fig. 7.

NOTE: No part of straps should be under batteries

Thread end of strap into ratchet and tighten until batteries are secure.

Fig. 8



Once the batteries are strapped down on the bottom of the cabinet, place the first shelf in the lower back position and secure it with sheet metal screws "A" provided, one per each end of the shelf.

NOTE: Be careful not to touch battery terminals with shelves during installation.

Place two batteries on the shelf and secure each battery with a ratchet strap, going around both the battery and the shelf as shown in Fig. 8. Tighten each ratchet strap. Continue the procedure, working from back to front, bottom to top until all shelves and batteries are installed.

BATTERY WIRING

Follow all wiring instructions listed in the LSN Instruction Manual, Section 105.3, with the following exception:

1. During preliminary wiring step 3, replace original cables TB1 and TB3 with longer wires provided in the seismic kit, threading each cable through the flex conduit. See Fig. 4.

93022607
93022608
93022610
93022611
93022612
93022613
93022614
93022615
93022616

Hubbell Lighting, Inc. Life Safety Products • www.dual-lite.com

Copyright © Hubbell Lighting, Inc., All Rights Reserved • Specifications subject to change without notice. • Printed in U.S.A

93022619C 7/17



LSN Seismic Mounting Kit

Supplemental Instructions for LSN
Central Lighting Inverters

HARDWARE LIST

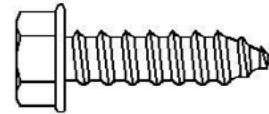
Screw "A"
0360897
#10 X 5/16 HEX SELF DRILLING



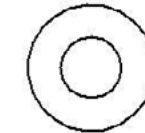
Screw "B"
93022307
#10-32 OVAL HEAD MACH SCREW



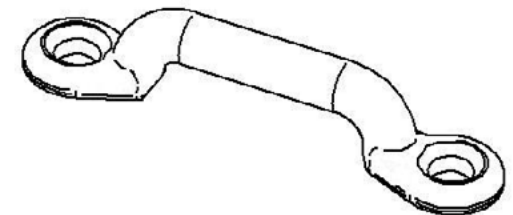
Screw "C"
93021639
1/4" THREAD-FORMING



Washer "W"
0360359
1/4" WASHER



Anchor "K"
93021837
BATTERY STRAP ANCHOR



93022616

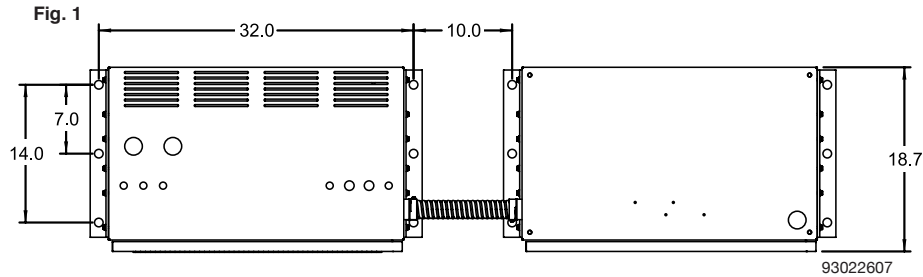


CABINET MOUNTING

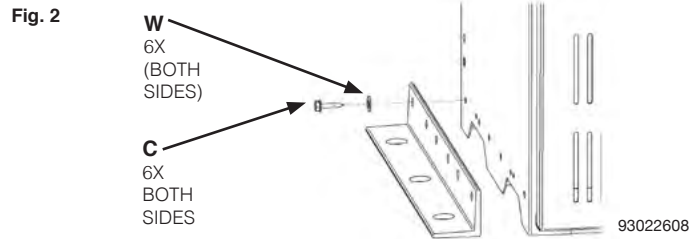
NOTE: This supplemental instruction sheet replaces cabinet mounting section 104 in the LSN instruction manual.

1. Locate and mount (6) HILTI Kwik-Bolt - Tensile Zone (KB-TZ)-1/2 (3/4) anchors per cabinet, with 4" embedment, according to the spacing in **Fig. 1**

NOTE: The anchor spacing between cabinets in configuration B and C is 10".
Anchors, nuts and washers are not provided in this kit.

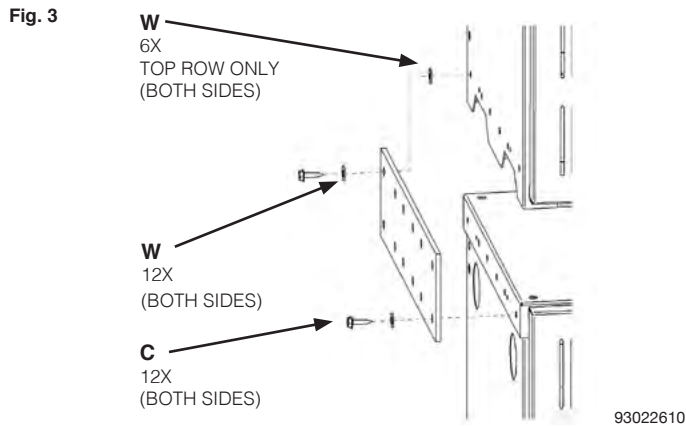


2. Loosely fasten supplied angle brackets with washers and hex nuts (not provided) to the anchors in the base. Slide cabinet(s) in between brackets and tightly secure brackets to cabinet(s) with screws "C" and washers "W" as shown in **Fig. 2**. Once brackets are tight against the cabinets, tighten the brackets to the anchors.



Secure upper cabinet(s) to lower cabinet(s) with plates, screws "C", and washers "W" as shown in **Fig. 3**. Additional washers are behind the plate on the top row only for proper cabinet alignment.

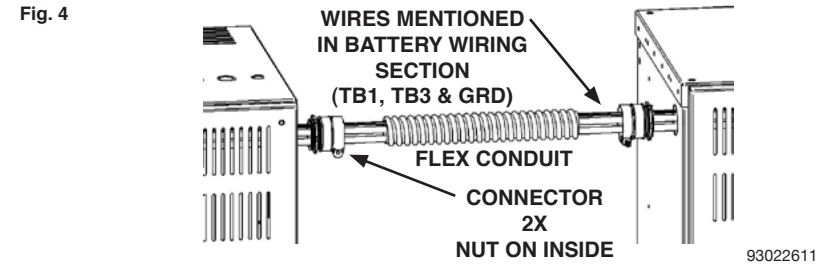
NOTE: Do NOT install the wall mounting angle brackets provided with the inverters.



INTERCABINET CONNECTIONS

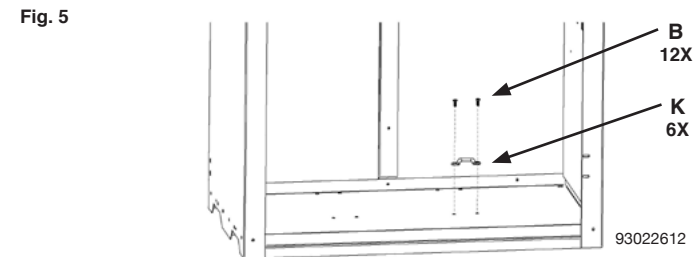
NOTE: This section replaces section 105.2, step 2 in the LSN instruction manual.

4. For B and C cabinet configurations, install the conduit fittings and flex conduit between the cabinets as shown in **Fig. 4**. Remove the knockouts for the 1/2" fitting in the side of each cabinet and secure the fittings through the holes with the nut included with the fittings. Place the flex conduit in the ends of each fitting and tighten the screws to secure the conduit. Repeat for both cabinet sets for configuration C.

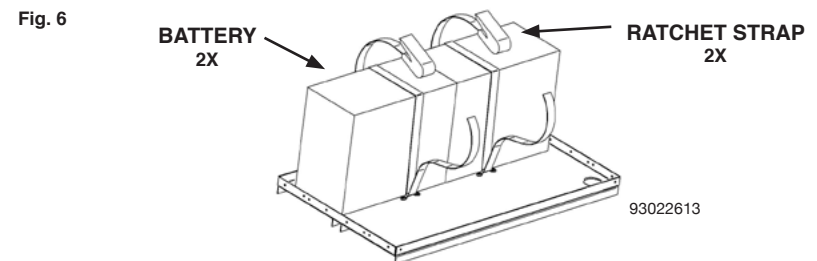


BATTERY MOUNTING

For battery mounting and shelf installation, follow procedures found in the LSN Instruction Manual, Section 105.3, with the additional steps shown in **Figs. 5 - 8**.



Install all (6) strap anchors "K" with screws "B" supplied in kit shown in **Fig. 5**.



Thread straps through back and middle anchors and place OVER batteries as shown in **Fig. 6**.

NOTE: No part of straps should be under batteries.

NOTE: For all batteries, keep the positive terminal to the right side of the cabinet.